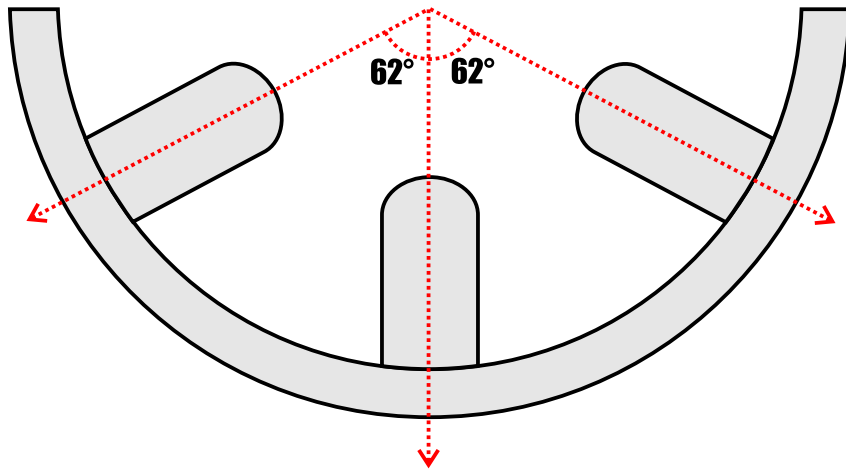
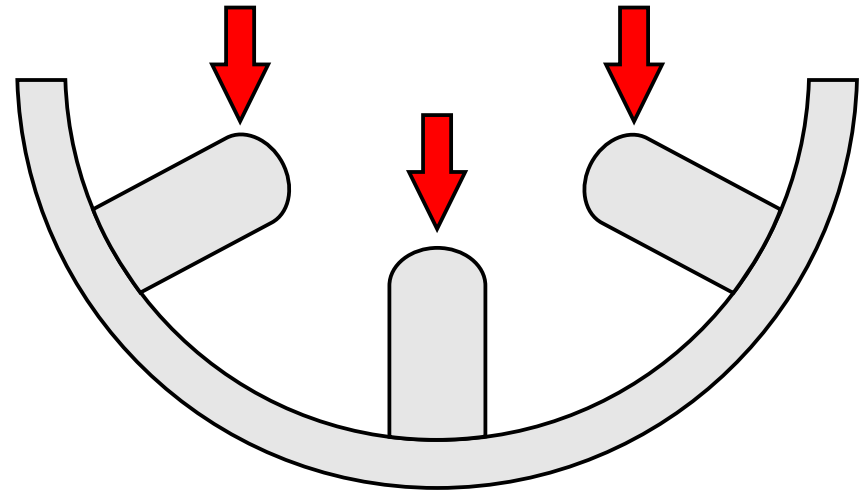


Placement of wire loom within concave



Direction of window



Authorization Signature X \_\_\_\_\_